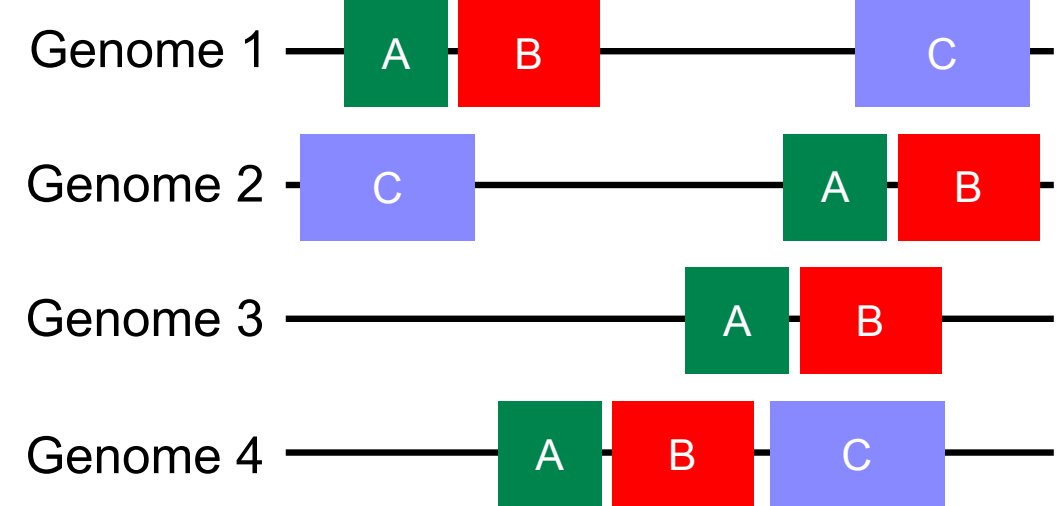
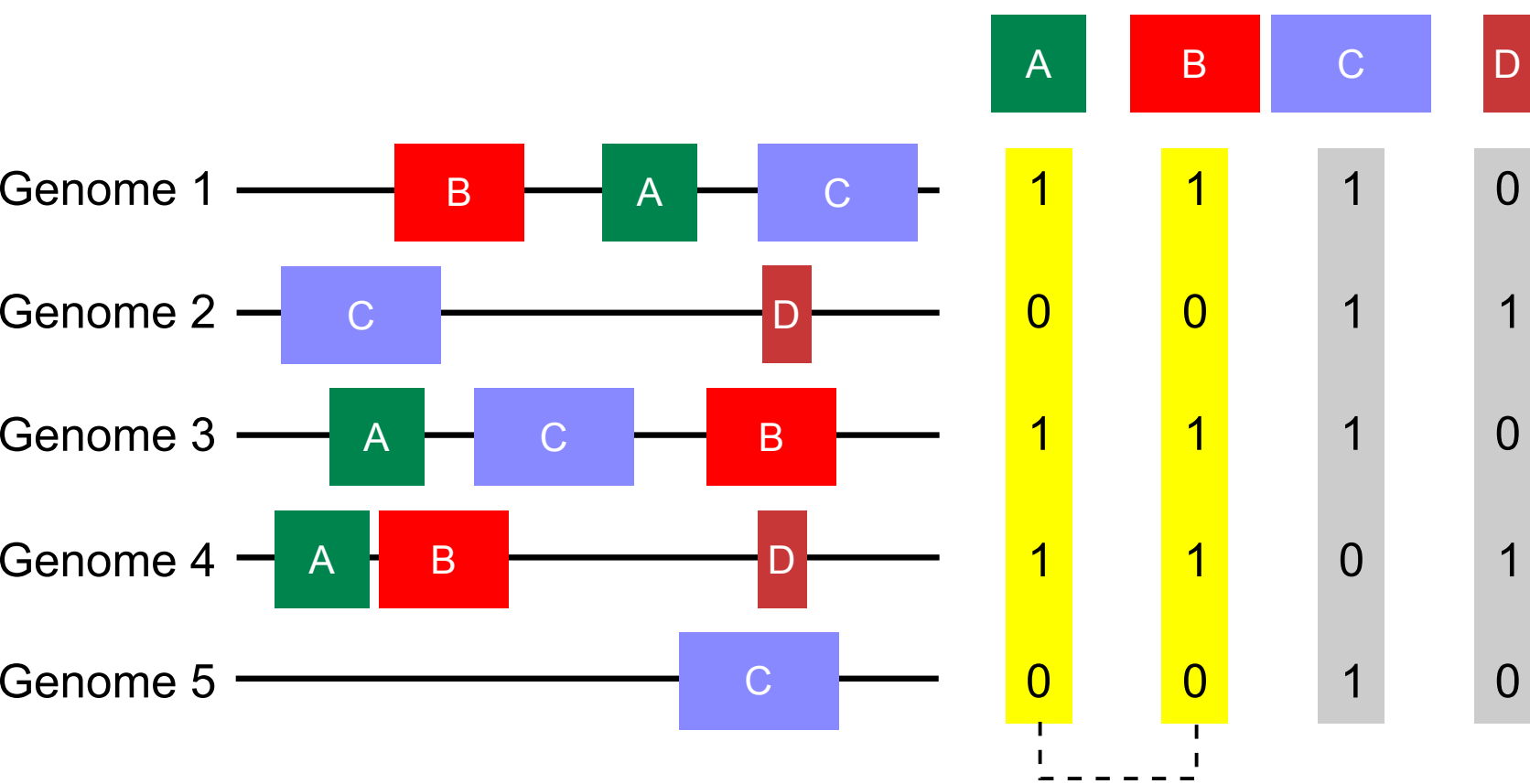


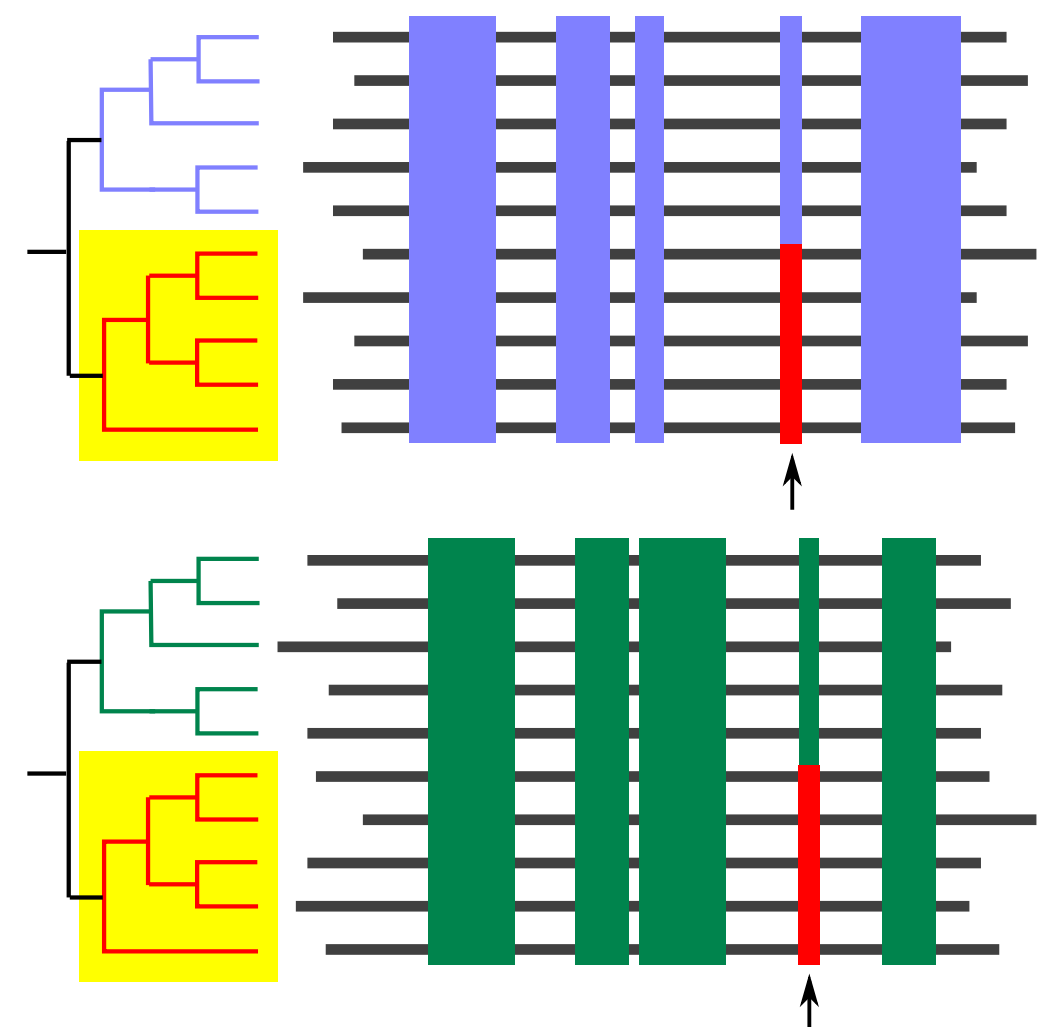
(A) Domain Fusion/Rosetta Stone



(B) Gene Neighbourhood



(C) Phylogenetic Profiles



(D) Correlated Mutations